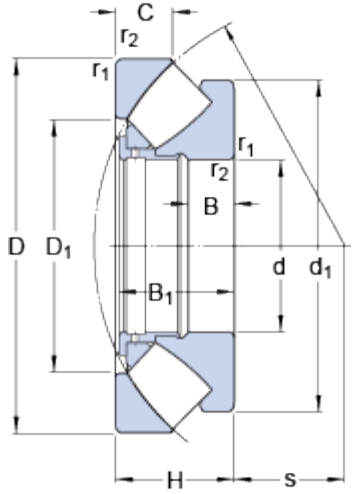


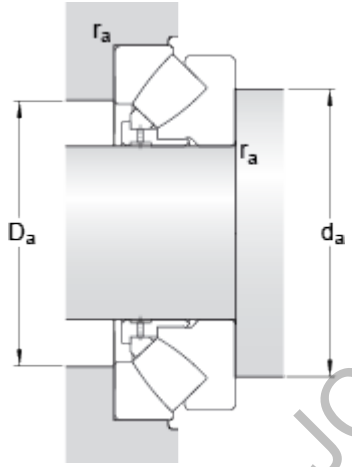
▶
29472E

Dimensions



d	360	mm
D	640	mm
H	170	mm
d ₁	≈ 580	mm
D ₁	≈ 474	mm
B	63	mm
B ₁	164	mm
C	83.5	mm
s	210	mm
r _{1,2}	min. 7.5	mm

Abutment dimensions



d _a	min. 495	mm
D _a	max. 550	mm
r _a	max. 6	mm

Calculation data

Basic dynamic load rating	C	6200	kN
Basic static load rating	C ₀	21200	kN
Fatigue load limit	P _u	1630	kN
Reference speed		560	r/min
Limiting speed		950	r/min
Minimum axial load factor	A	41	

Mass

Mass bearing		230	kg
--------------	--	-----	----